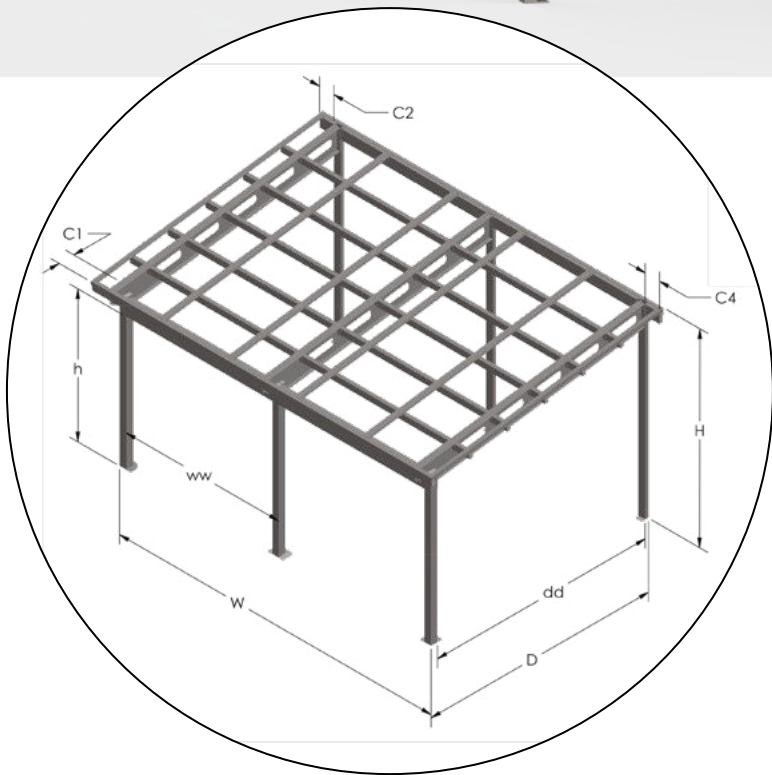


Panorama Series

Attached Model



Specialized in Custom Design

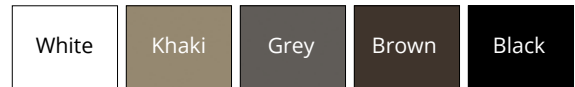
Solid steel and aluminum structure

Load-bearing capacity to withstand the worst weather conditions

Flat roof with customized pitch

Maximum clearance between posts

Standard colours



6061-T6 aluminum frame (3/16-inch thick)

Baked paint quality certified AAMA 2603, AAMA 2604 (on request)

Grade A2-70 stainless steel or Grade A325 hot-dip galvanized steel

hardware according to ASTM A153 or ASTM F2329

Mechanical anchors (optional chemical anchors)

16 mm RDC polycarbonate roof with UV protection and 0.57 shading coefficient (standard)

Optional 28 gauge or thicker corrugated steel roof

44W steel arch

Option of post and purlin made of grade 50W steel tubes

Roofing options			Dimensions												
Polycarbonate	Corrugated sheet metal	Wood and sheet metal	ww	h	H	S	W	dd	D	Front posts	Back posts	C1	C2	C3	C4
x	x	x	Max 144	Std 80	tbd	-	Max ∞	Max 360	Max ∞	Std 4 x 4 x 3/16	Std 2 x 4 x 3/16	8	8	-	8



Corrugated sheet metal



Corrugated sheet metal



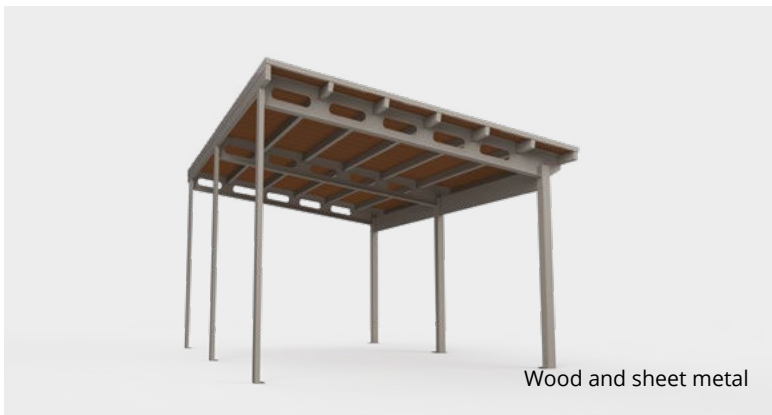
Polycarbonate



Polycarbonate



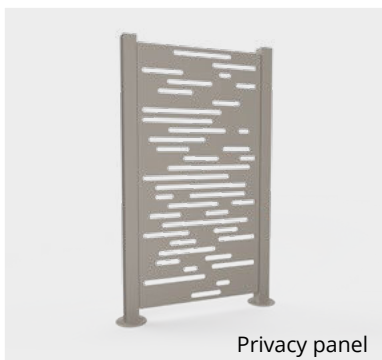
Wood and sheet metal



Wood and sheet metal



Aluminum and glass wall



Privacy panel



Sheet metal



Glass

Wall options

Glass

6 mm on clips for maximum ventilation

Panels with watertight frame

Several finish options for watertight frame: sheet metal, sheet metal and wood, glass, solid or perforated aluminum panels, and more

Privacy panel

Choice of 17 standard models or custom-made

Combination of options

E.g., an aluminum and glass wall

Also available are our doors, windows, sliding doors and 3-season fixed panels. Doors have the same finish options as walls.