

Nature Series

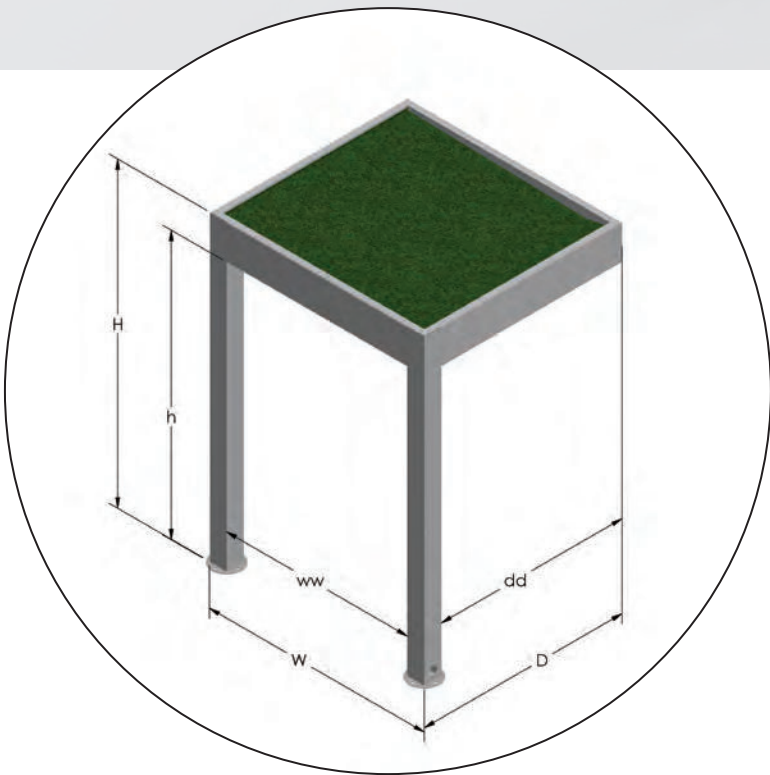


Attached Model

Green roof



Specialized in Custom Design



Aluminum structure

Load-bearing capacity to withstand the worst weather conditions

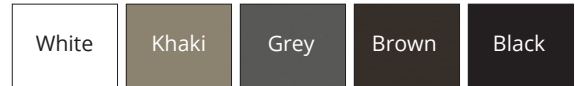
Flat roof with concealed slopes

Interior finished in jointed rustic pine

Rainwater is directed into the posts, with drainage at the bottom

Virtually self-sufficient vegetation system keeps maintenance to a minimum

Standard colours



Solid aluminum posts (3/16-inch thick)

Baked paint quality certified AAMA 2603, AAMA 2604 (on request)

Concealed bolts

Mechanical anchors

Multi-layer roof with PVC membrane and root barrier

Significant sound insulation

Excellent LEED credit

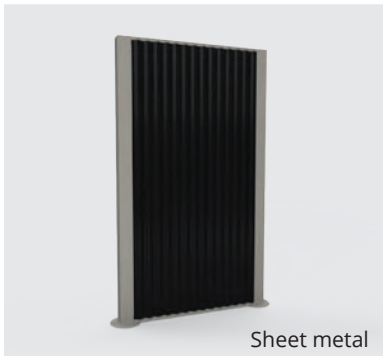
Roofing option	Dimensions												
Green roof	ww	h	H	S	W	dd	D	Front posts	Back posts	C1	C2	C3	C4
x	Max 144	Std 84	Max 96	-	Max ∞	Max 114	Max 120	Std 6 x 6 x 3/16	Std 6 x 6 x 3/16	-	-	-	-



Aluminum and glass wall



Privacy panel



Sheet metal



Glass

Wall options

Glass

6 mm on clips for maximum ventilation

Panels with watertight frame

Several finish options for watertight frame: sheet metal, sheet metal and wood, glass, solid or perforated aluminum panels, and more

Privacy panel

Choice of 17 standard models or custom-made

Combination of options

E.g., an aluminum and glass wall

Also available are our doors, windows, sliding doors and 3-season fixed panels. Doors have the same finish options as walls.